

# Aria

## Folding Arm Awning No Hood

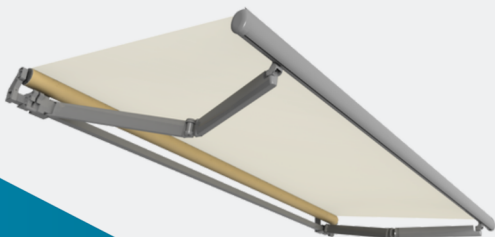


Terms & Conditions Apply

The Aria Folding Arm Awning is an ingenious and user friendly shading solution for balconies, terraces, decks and pool areas.

The harmonious blend of traditional aesthetics and cutting-edge German engineering creates a versatile and ideal solution for commercial and residential dwellings.

This system is a classic awning that provides excellent shading from the sun and light rain.



## System Specifications

System	Aria folding arm awning (no hood)
Minimum width	2000mm
Maximum width	14000mm
Maximum projection	4000mm
Installation angle	5-35°
Standard operation	Motor (gear unit and hand crank possible)
Fabric colours	Over 200 fabric colours
Standard frame colours	Over 120 Dulux and custom powdercoat colours
Premium frame colours	Over 50 Dulux Duratec and Electro commercial colours

## Technical Information

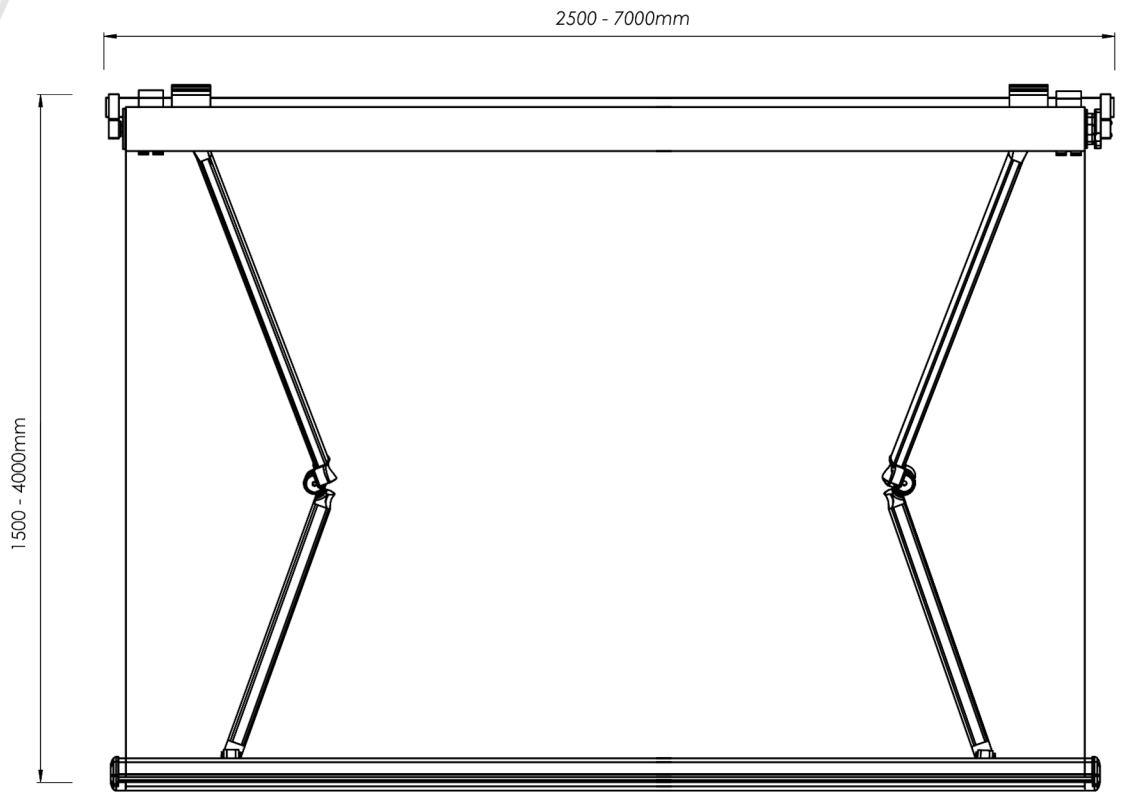
Brackets	Face, top, rafter/soffit fix and fascia brackets Top fix brackets: 150 x 145mm Fascia brackets: 0°, 10°, 20° Roof mount brackets: 550 x 600mm
Mechanism	Aria offers the awning fabric total protection from the elements Architectural grade extruded aluminium Articulated folding arms High quality extruded and drop-forged arms offer safety and reliability even under extreme loads Unique power band system ensures proper tensioning of the fabric and consists of 2 tear-resistant steel cables
Testing	Tested for 60,000 arm operations Tested in winds equivalent to 35-45km/h
Sun and wind control systems	Optional automation via wind control sensor Optional automation via Soliris sun and wind sensor Automated reaction in high winds Adjustable wind sensitivity levels

## Contact

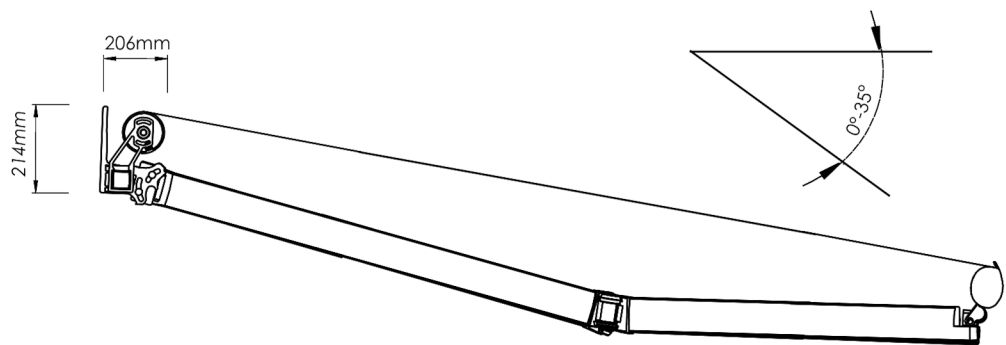
Phone: 02 8068 9293  
Email: [sales@obaau.com.au](mailto:sales@obaau.com.au)  
Website: [www.obaau.com.au](http://www.obaau.com.au)  
Facebook: [OutdoorBlindsAndAwningsAustralia](https://www.facebook.com/OutdoorBlindsAndAwningsAustralia)  
Instagram: [OutdoorBlindsandAwnings\\_](https://www.instagram.com/OutdoorBlindsandAwnings_)  
LinkedIn: [Outdoor Blinds And Awnings Australia](https://www.linkedin.com/company/OutdoorBlindsAndAwningsAustralia)

Aria (no hood)  
Folding Arm Awnings  
Open

Top view



Side view



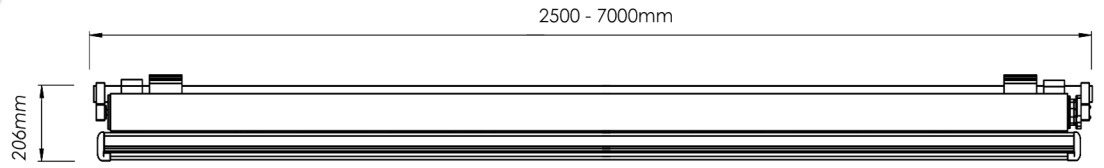
The wind resistance class can vary depending on version and dimension.

**Phone:** 02 8068 9293  
**Email:** sales@obaau.com.au  
**Website:** obaau.com.au

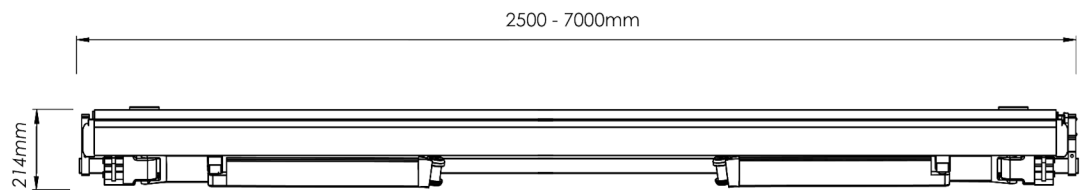
**Facebook:** OutdoorBlindsAndAwningsAustralia  
**Instagram:** OutdoorBlindsandAwnings\_  
**LinkedIn:** Outdoor Blinds And Awnings Australia

Aria (no hood)  
 Folding Arm Awnings  
 Closed

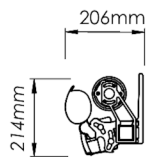
Top view



Front view



Side view



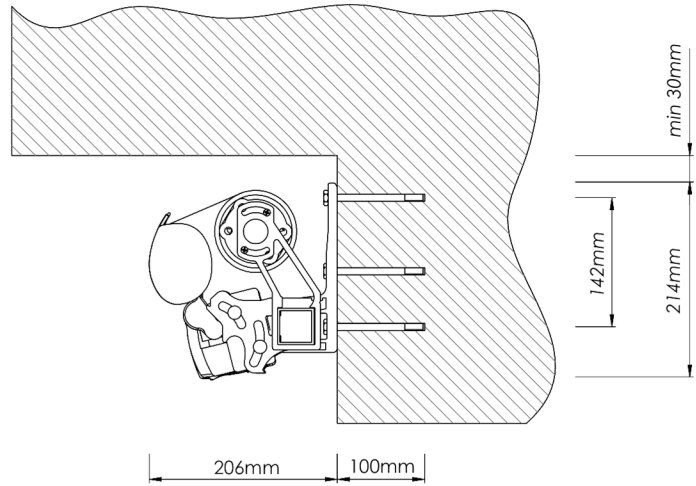
The wind resistance class can vary depending on version and dimension.

**Phone:** 02 8068 9293  
**Email:** sales@obaau.com.au  
**Website:** obaau.com.au

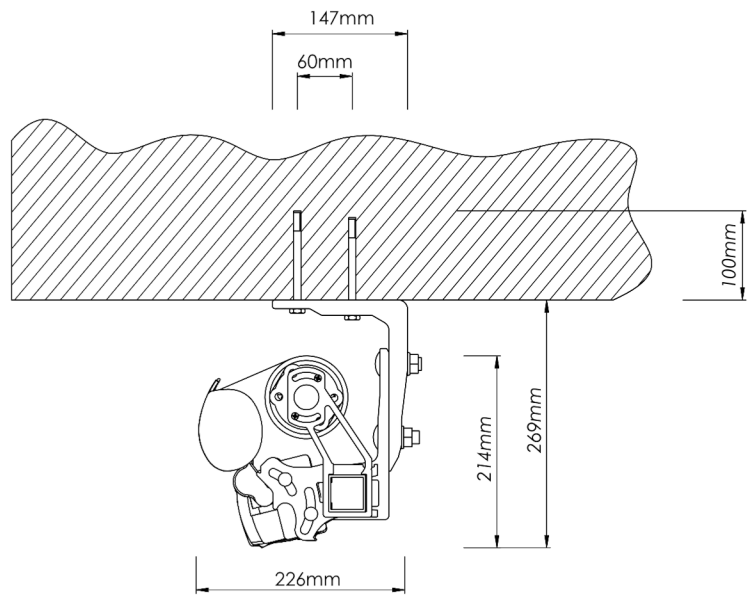
**Facebook:** OutdoorBlindsAndAwningsAustralia  
**Instagram:** OutdoorBlindsandAwnings\_  
**LinkedIn:** Outdoor Blinds And Awnings Australia

Mounting Situations

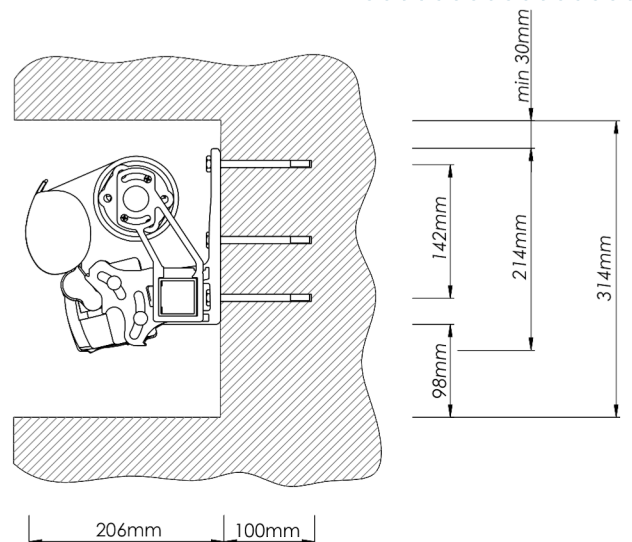
Wall mount (Face) installation 5-40°



Top mount installation 5-40°



Fully recessed installation



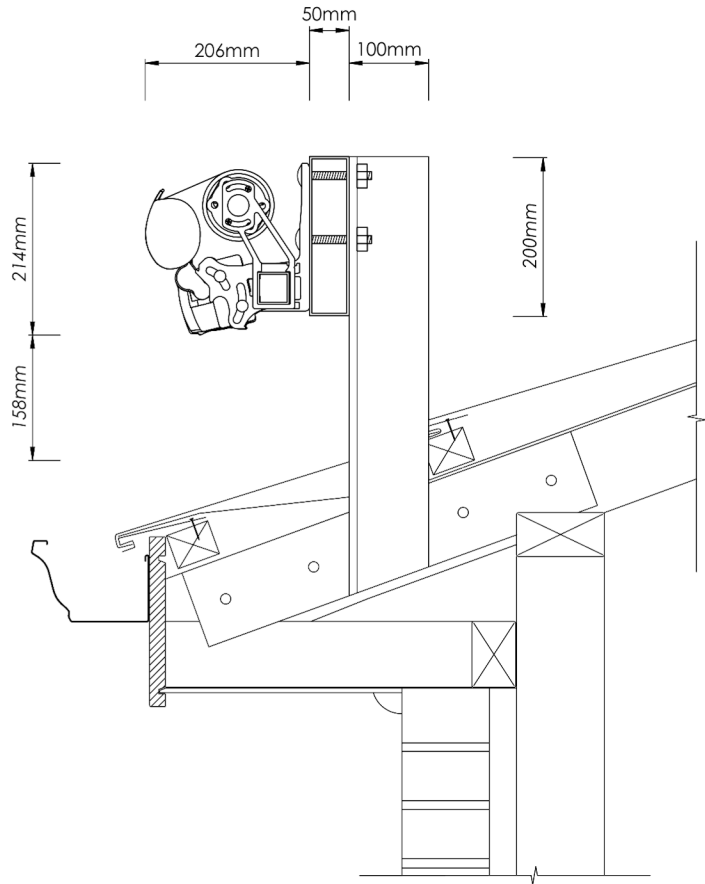
The wind resistance class can vary depending on version and dimension.

**Phone:** 02 8068 9293  
**Email:** sales@obaau.com.au  
**Website:** obaau.com.au

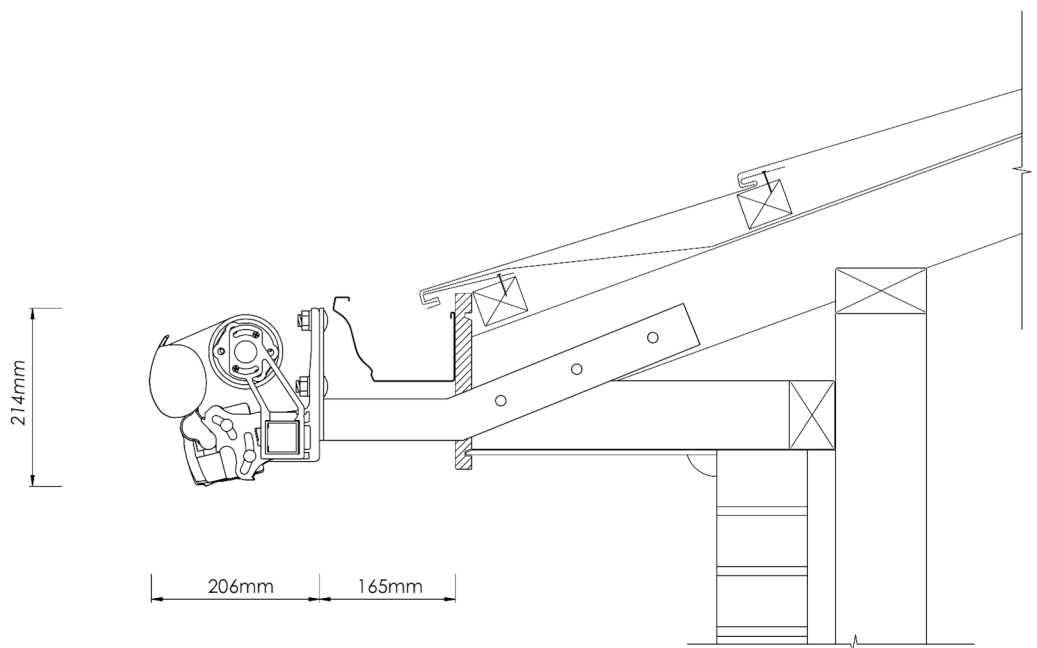
**Facebook:** OutdoorBlindsAndAwningsAustralia  
**Instagram:** OutdoorBlindsandAwnings\_  
**LinkedIn:** Outdoor Blinds And Awnings Australia

Mounting Situations

Roof mount installation



Fascia mount installation



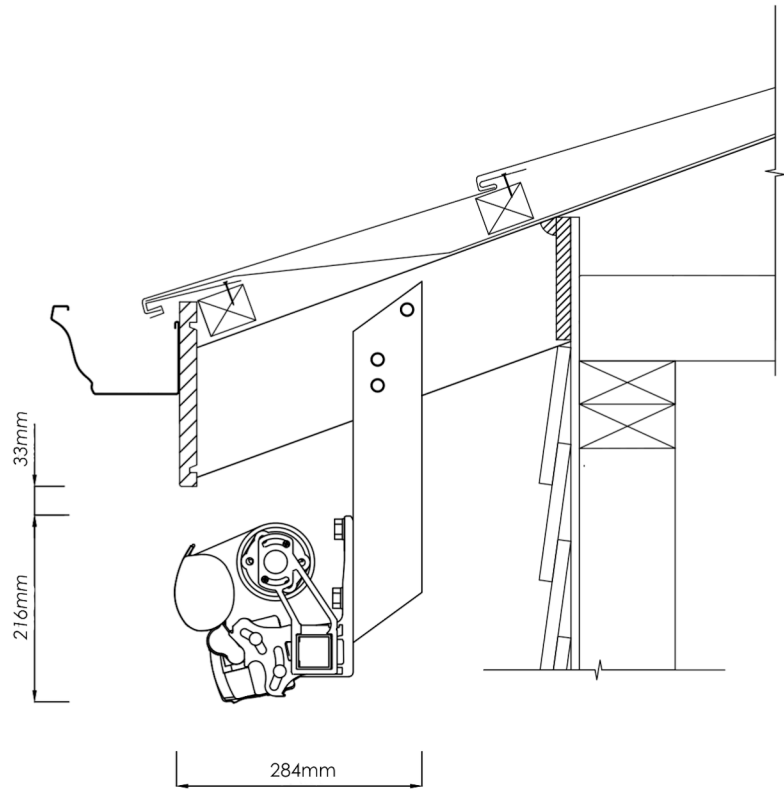
The wind resistance class can vary depending on version and dimension.

**Phone:** 02 8068 9293  
**Email:** sales@obaau.com.au  
**Website:** obaau.com.au

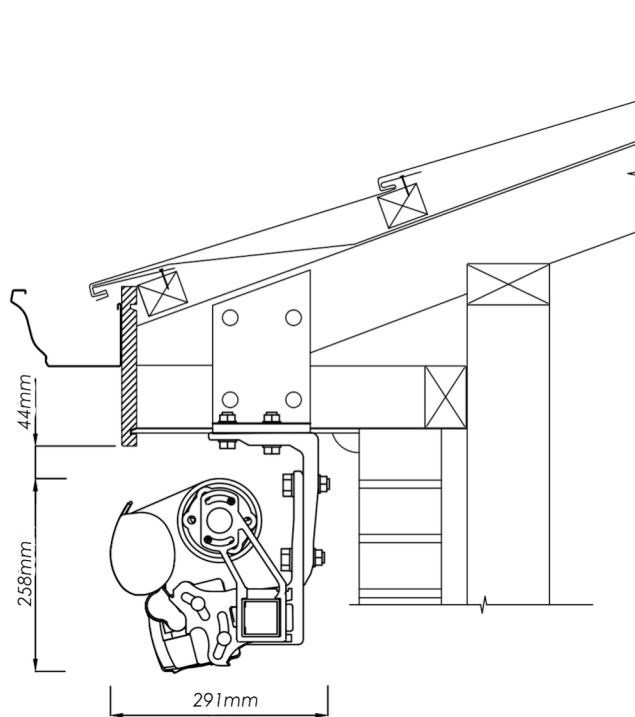
**Facebook:** OutdoorBlindsAndAwningsAustralia  
**Instagram:** OutdoorBlindsandAwnings\_  
**LinkedIn:** Outdoor Blinds And Awnings Australia

Mounting Situations

Soffit / under eaves  
exposed rafters installation



Soffit / under eaves  
closed off eave installation



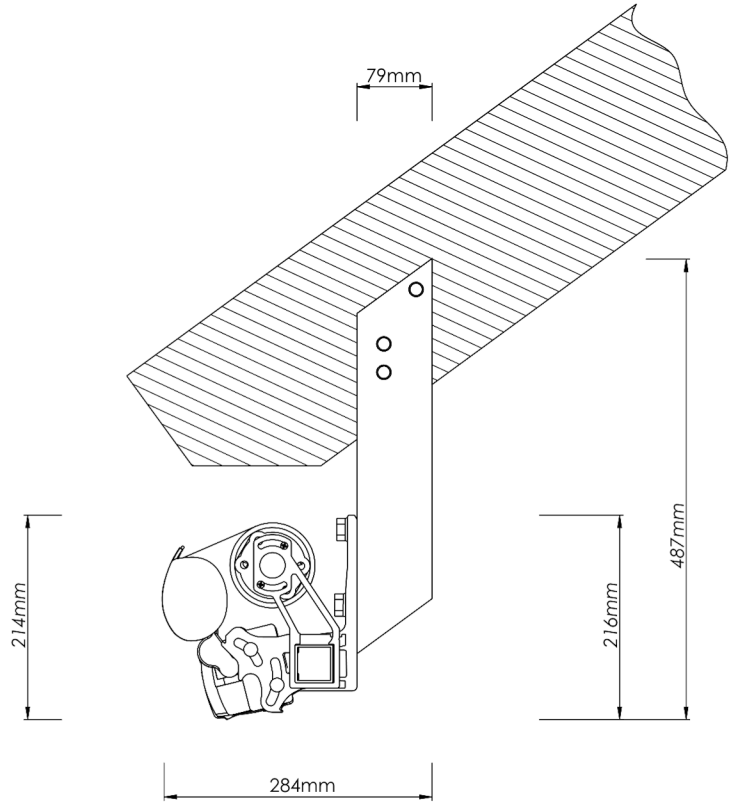
The wind resistance class can vary depending on version and dimension.

**Phone:** 02 8068 9293  
**Email:** sales@obaau.com.au  
**Website:** obaau.com.au

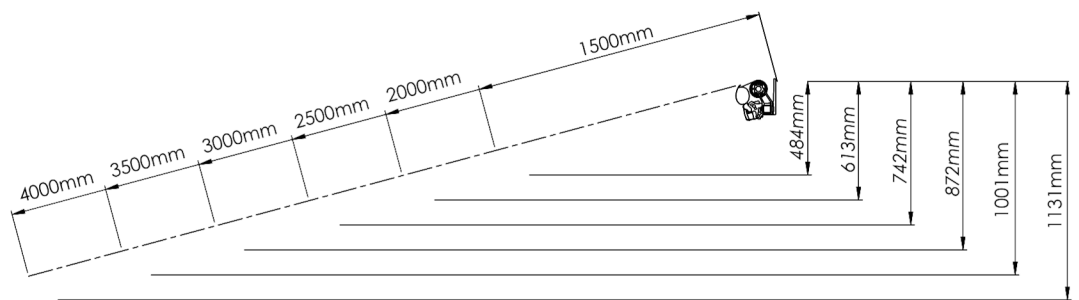
**Facebook:** OutdoorBlindsAndAwningsAustralia  
**Instagram:** OutdoorBlindsandAwnings\_  
**LinkedIn:** Outdoor Blinds And Awnings Australia

Mounting Situations

Exposed rafter installation



Awning height for standard 15° slope



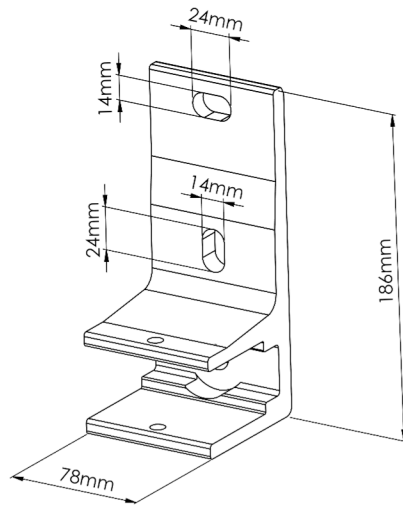
The wind resistance class can vary depending on version and dimension.

**Phone:** 02 8068 9293  
**Email:** sales@obaau.com.au  
**Website:** obaau.com.au

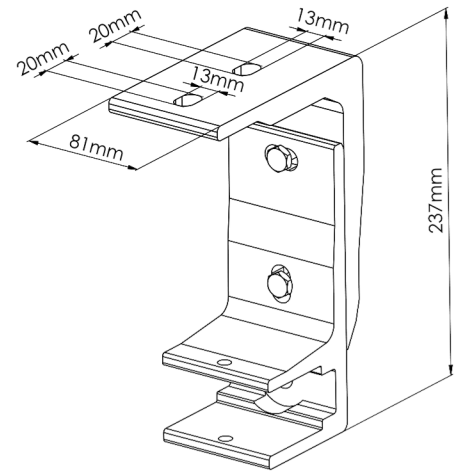
**Facebook:** OutdoorBlindsAndAwningsAustralia  
**Instagram:** OutdoorBlindsandAwnings\_  
**LinkedIn:** Outdoor Blinds And Awnings Australia

## Bracket Details

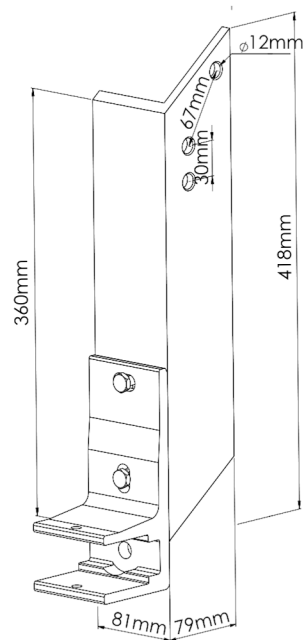
### Wall mount bracket



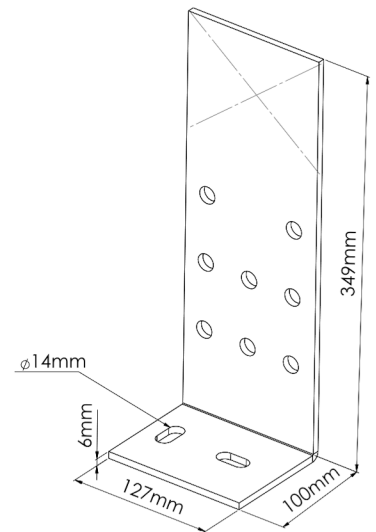
### Top mount bracket



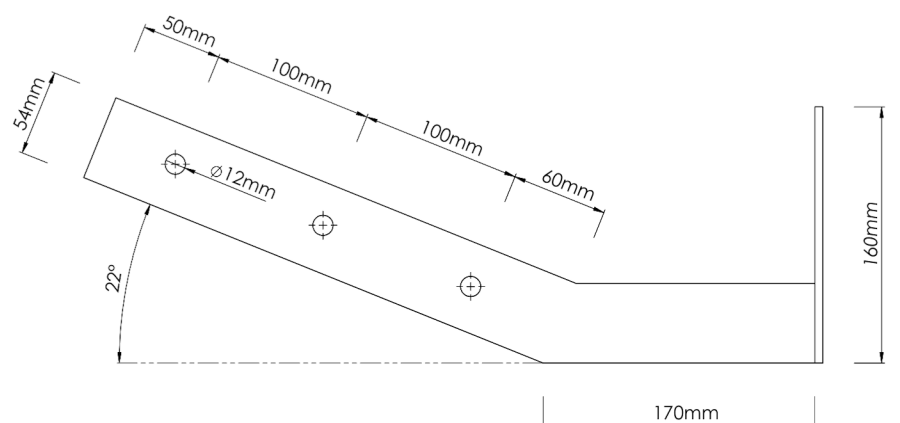
### Soffit/under eaves bracket



### Rafter fix bracket



### Facia mount bracket 22°



The wind resistance class can vary depending on version and dimension.

**Phone:** 02 8068 9293  
**Email:** sales@obaau.com.au  
**Website:** obaau.com.au

**Facebook:** OutdoorBlindsAndAwningsAustralia  
**Instagram:** OutdoorBlindsandAwnings\_  
**LinkedIn:** Outdoor Blinds And Awnings Australia