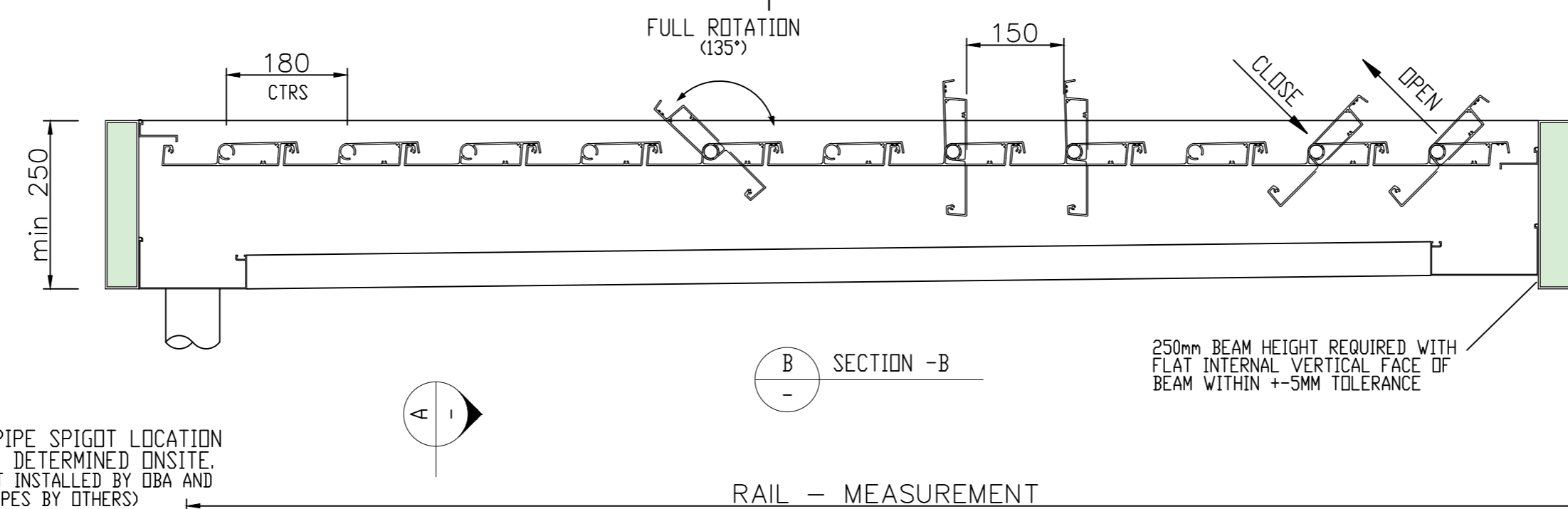
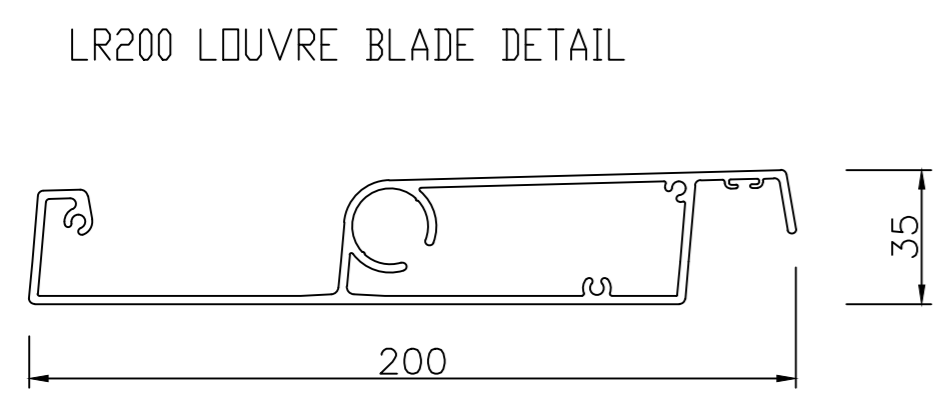
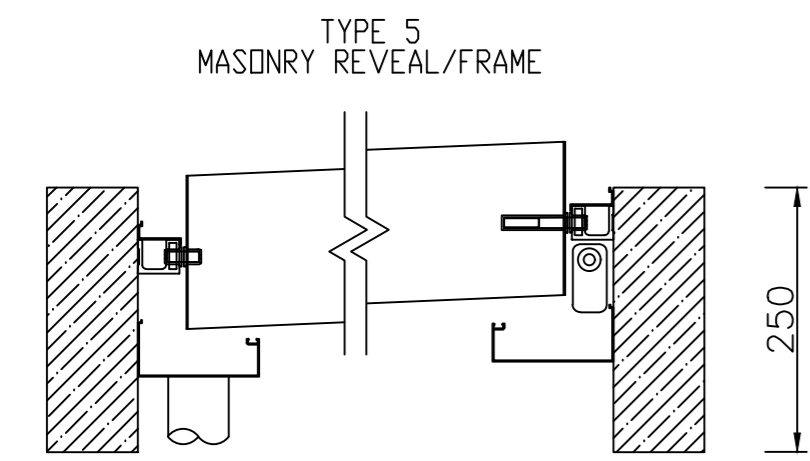
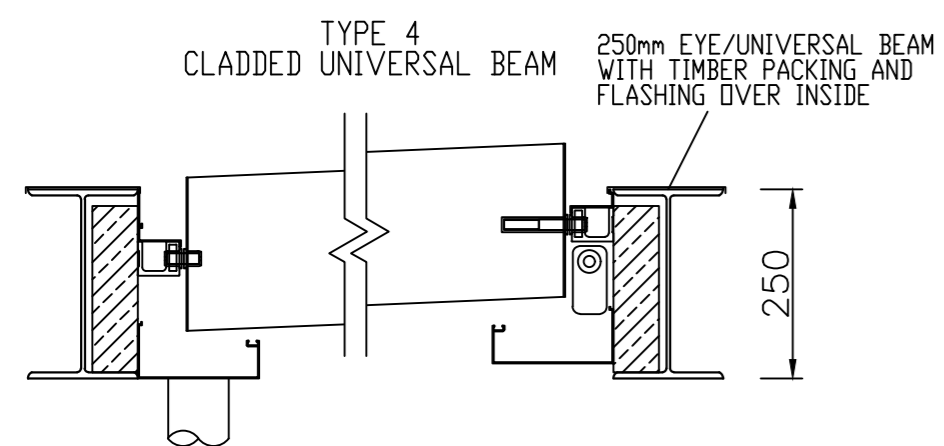
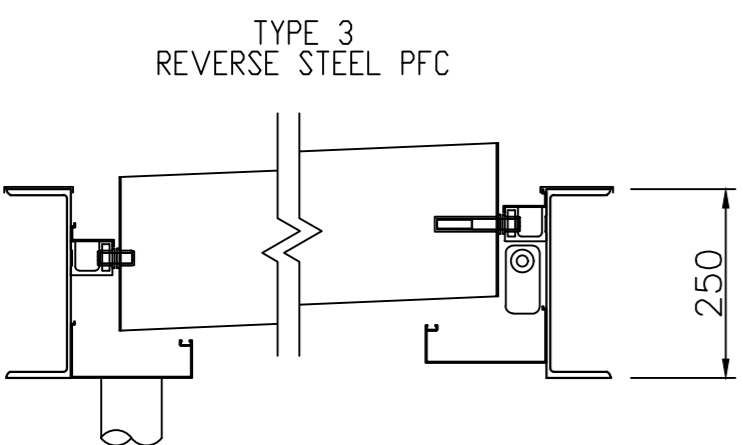
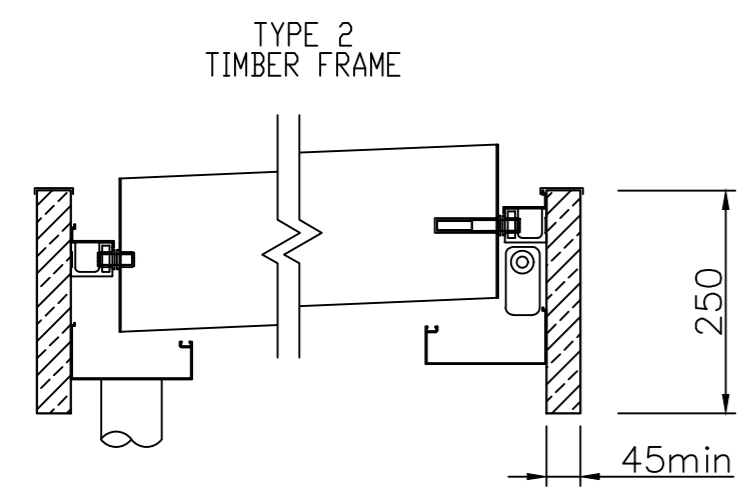
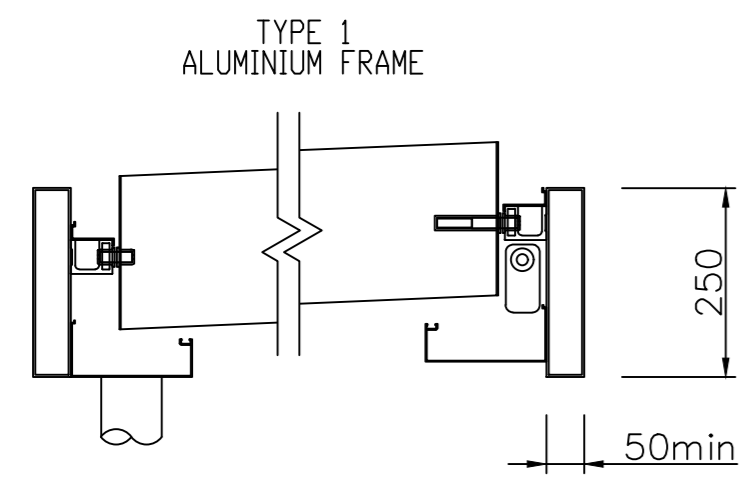
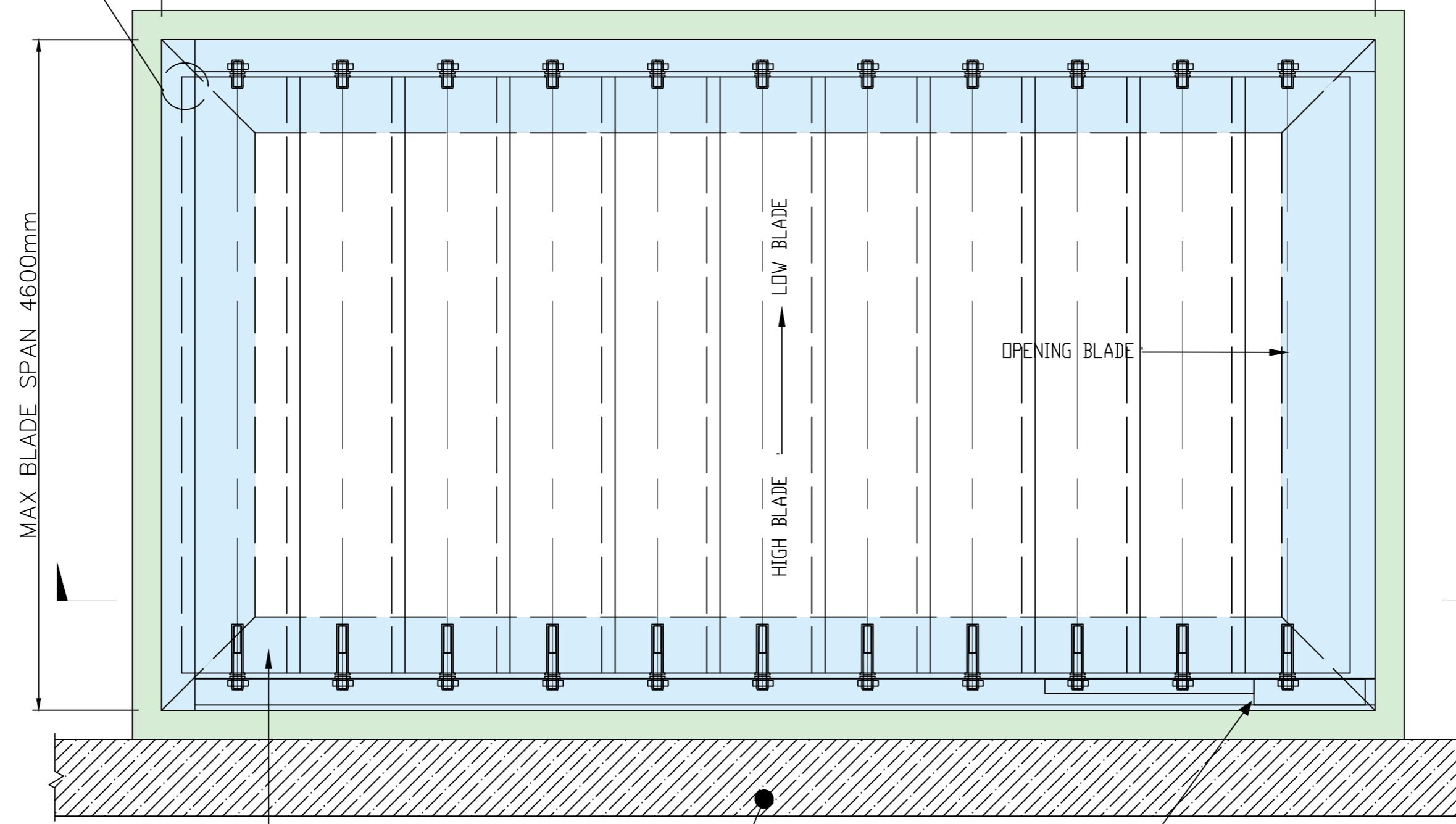


BLADE SPECIFICATIONS	
BLADE DESIGN	LINEAR
BLADE DIMENSIONS	200mm x 35mm x 2.1mm
BLADE MATERIAL	EXTRUDED ALUMINIUM 6061-T6
BLADE FINISH	POWDER COATED
BLADE CENTERS	180mm
BLADE OPENING	150mm
GUTTER SPECIFICATIONS	
GUTTER DESIGN	SQUARE EDGE
GUTTER DIMENSIONS	160mm x 50mm
GUTTER MATERIAL	EXTRUDED ALUMINIUM 6061-T6
GUTTER FINISH	POWDER COATED
RAIL SPECIFICATIONS	
RAIL TRACK	55mm x 45mm x 6mm
RAIL TRACK MATERIAL	EXTRUDED ALUMINIUM 6063-T5
RAIL TRACK FINISH	POWDER COATED
CONTROL BAR SPECIFICATIONS	
CONTROL BAR	50mm x 10mm x 3mm
CONTROL BAR MATERIAL	EXTRUDED ALUMINIUM 6063-T5
CONTROL BAR FINISH	POWDER COATED
PARTS AND CONNECTOR SPECIFICATIONS	
PIN SET	14.3mm DIA 316 MARINE GRADE STAINLESS STEEL
SPRING SET	316 MARINE GRADE STAINLESS STEEL
CONNECTOR HOUSING	100% UV STABLE POM-H
WEATHER STRIP	PVC STORM INSERTION STRIP
MOTOR & CONTROL SPECIFICATIONS	
MOTOR TYPE	240V ACTUATOR
CONTROLS	HARD WIRED OR REMOTE OPERATION
SENSORS	RAIN, WIND & SUN SENSORS

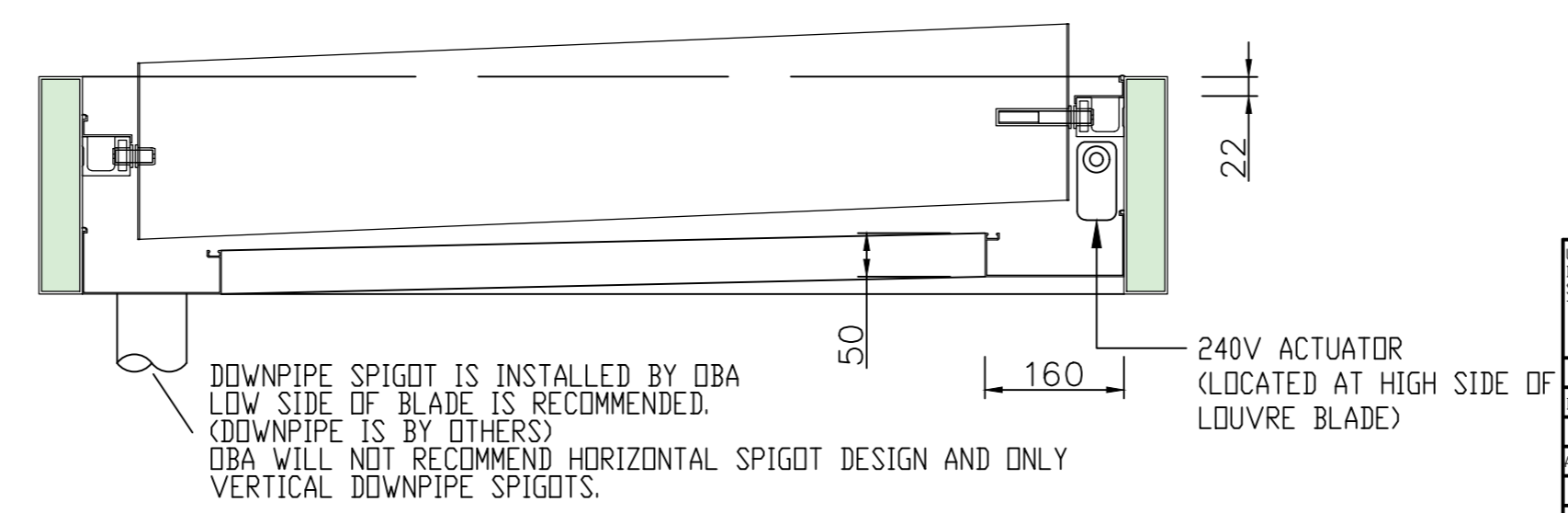


DOWNPIPE SPIGOT LOCATION TO BE DETERMINED ONSITE. (SPIGOT INSTALLED BY OBA AND DOWNPIPES BY OTHERS)



GUTTER LOCATED ON ALL 4 SIDES OF STRUCTURE

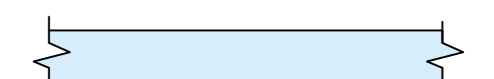
LINEAR MOTOR LOCATION POWER LOCATED ON HIGH SIDE OF BLADE AND OPPOSITE END TO BLADE OPENING END. (A SITE VISIT IS TYPICALLY REQUIRED TO MARK POWER)



LEGEND:



THIS INDICATES SUPPORT FRAME BY CLIENT OR BY OBA. (OBA FRAME IS OPTIONAL)



THIS INDICATES GUTTER

UNLESS OTHERWISE SPECIFIED, DIMENSIONS ARE IN MILLIMETERS		FINISH		DEBURR AND BREAK SHARP EDGES		DO NOT SCALE DRAWING		REVISION	
SURFACE FINISH									
TOLERANCES:									
LINEAR:									
ANGULAR:									
DRAWN		SIGNATURE		DATE					
CHK'D									
APPV'D									
MFG									
O/A						MATERIAL:		DWG NO.	
						WEIGHT:		SCALE: 1:2	
								SHEET 1 OF 1	
TITLE:						OBA AUSTRALIA SALES@OBAU.COM.AU WWW.OBAU.COM.AU			
						MED TWIST LR200 SYSTEM BLADES PERPENDICULAR TO BUILDING			
						A2			

VIEW - A