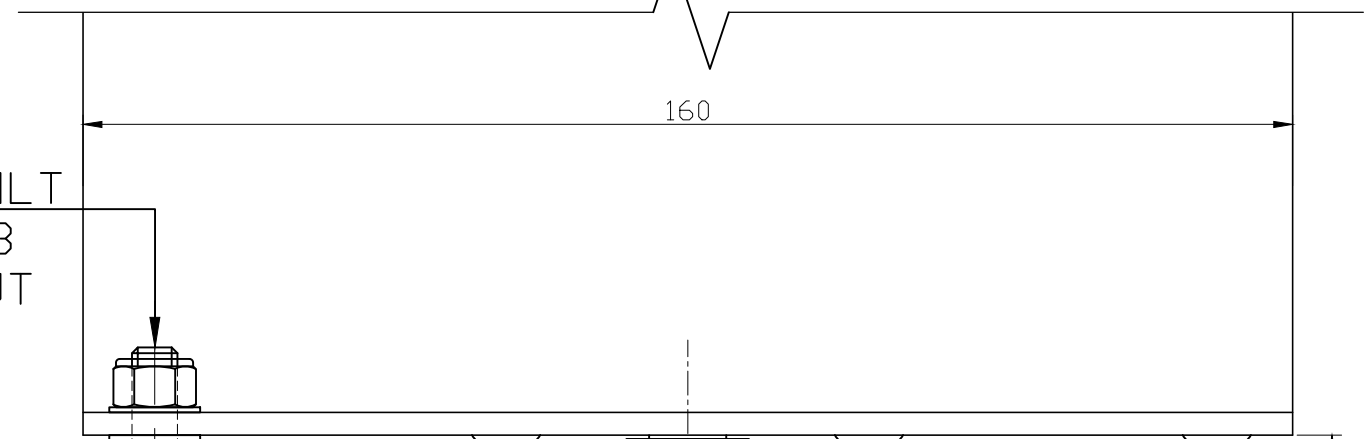
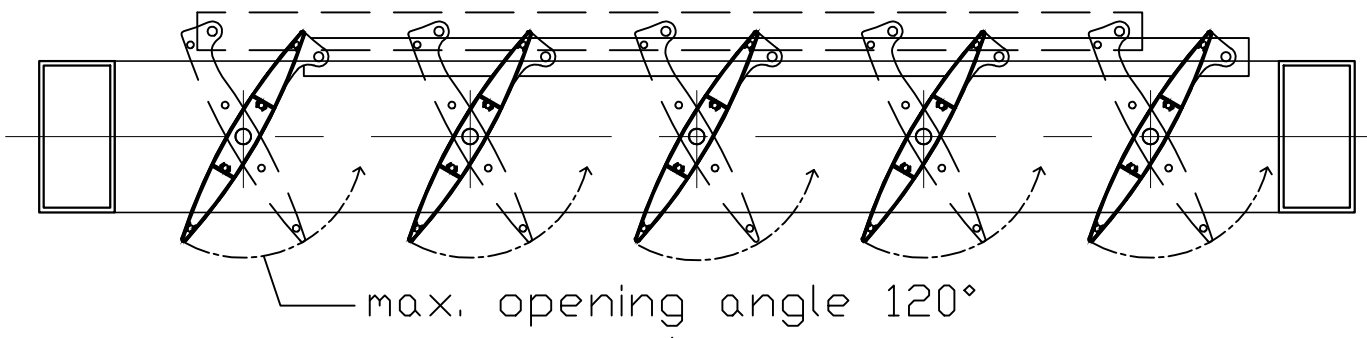
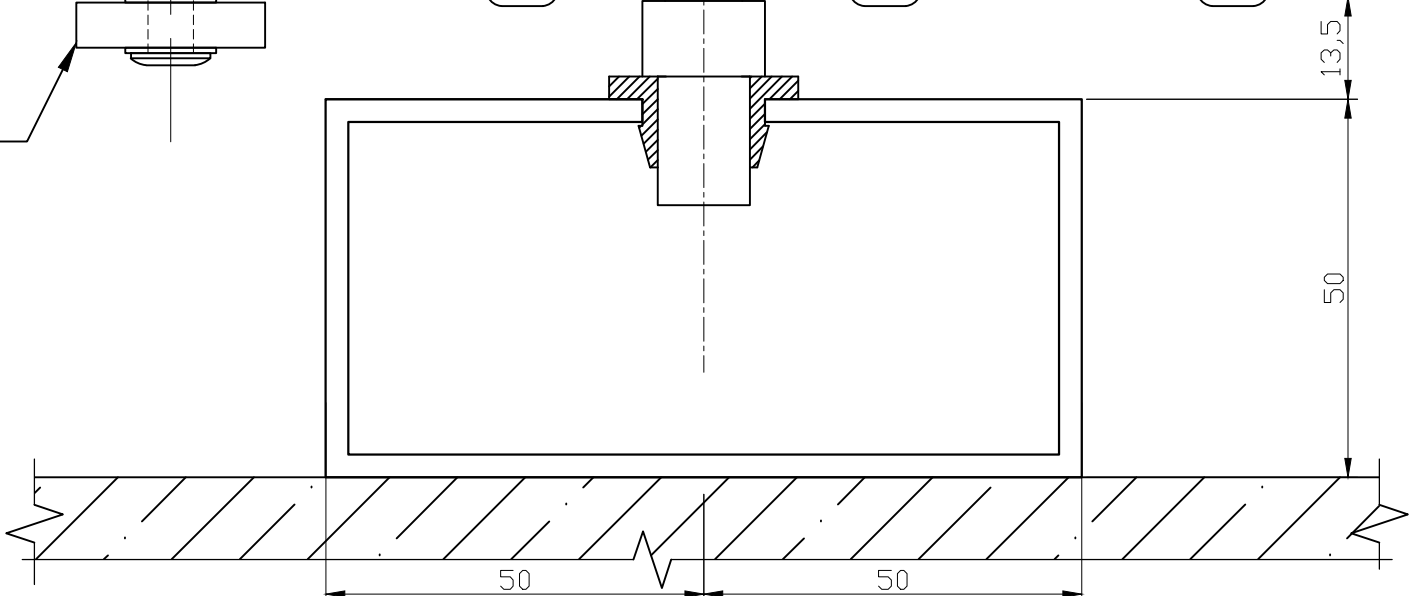


PLAN SECTION
(BLADES MOUNTED VERTICALLY)

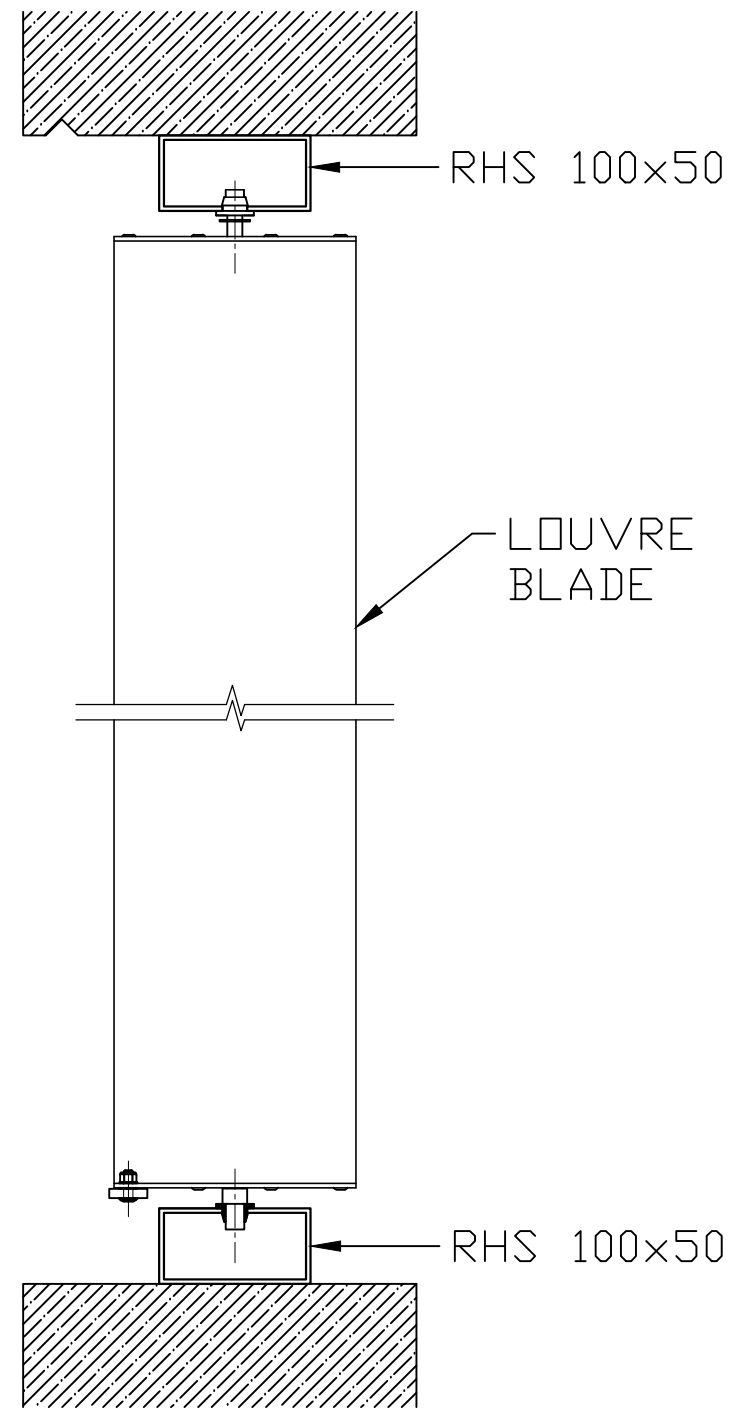
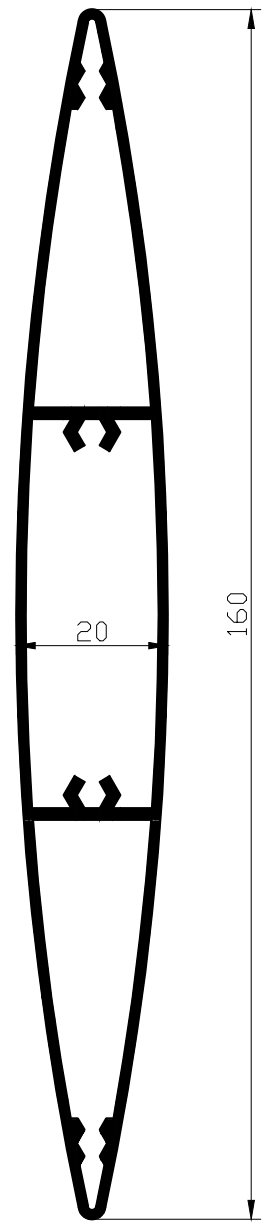


M6 SST BOLT
WASHER X3
NYLOCK NUT

FLAT BAR
25x6



DETAIL



LB160 BLADE END VIEW

ELLIPTICAL LB160
BLADES CAN ALSO BE MOUNTED HORIZONTALLY.
ALSO AVAILABLE FOR LB200, 300.

UNLESS OTHERWISE SPECIFIED: DIMENSIONS ARE IN MILLIMETERS SURFACE FINISH: TOLERANCES: LINEAR: ANGULAR:		FINISH:		DEBURR AND BREAK SHARP EDGES		DO NOT SCALE DRAWING		REVISION	
DRAWN		NAME		SIGNATURE		DATE		TITLE:	
CHK'D								OBA AUSTRALIA SALES@OBAAU.COM.AU WWW.OBAAU.COM.AU	
APPV'D									
MFG									
Q.A						MATERIAL:		DWG NO.	
								LB 160 LOUVRE BLADES	
						WEIGHT:		SCALE:1:2	
								SHEET 1 OF 1	