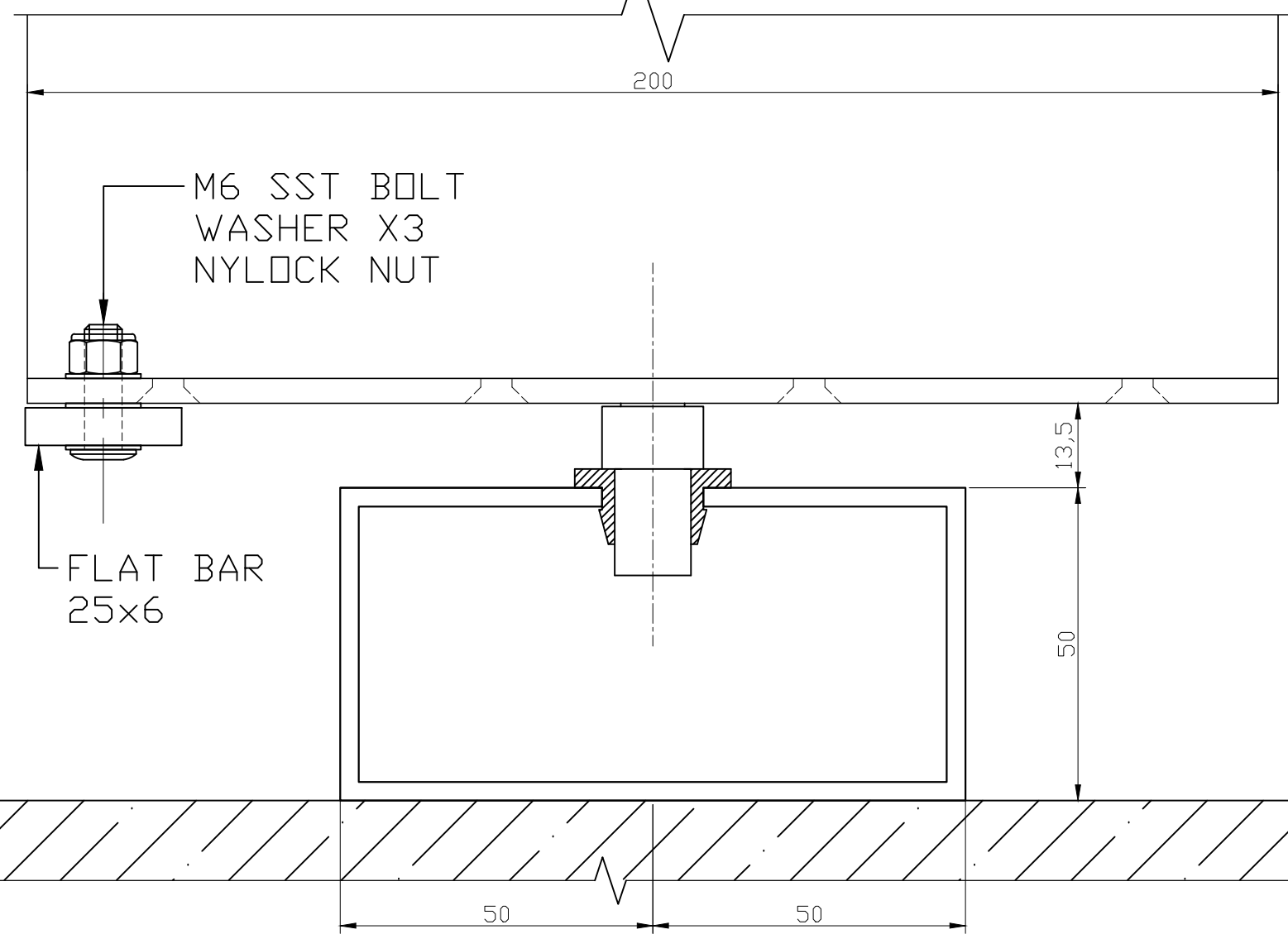
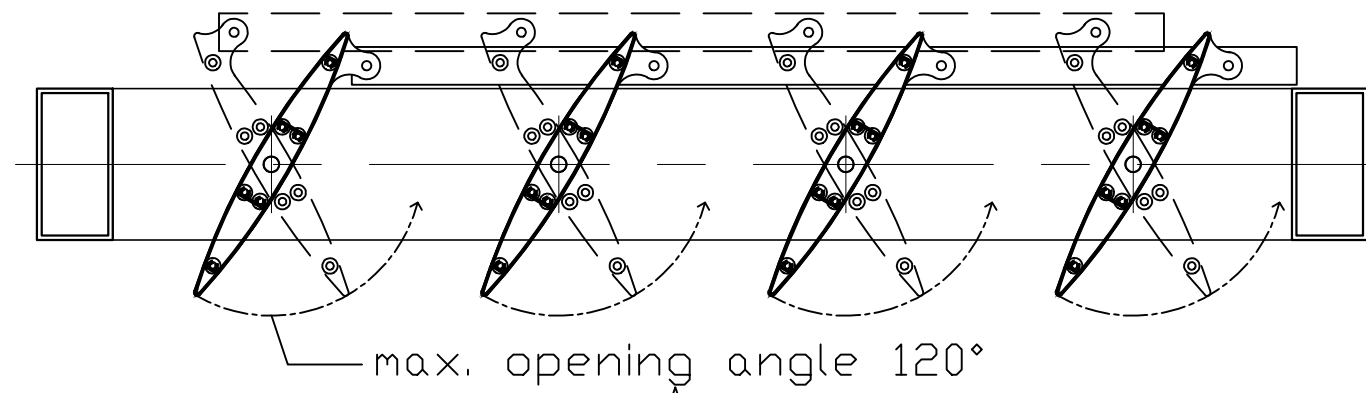
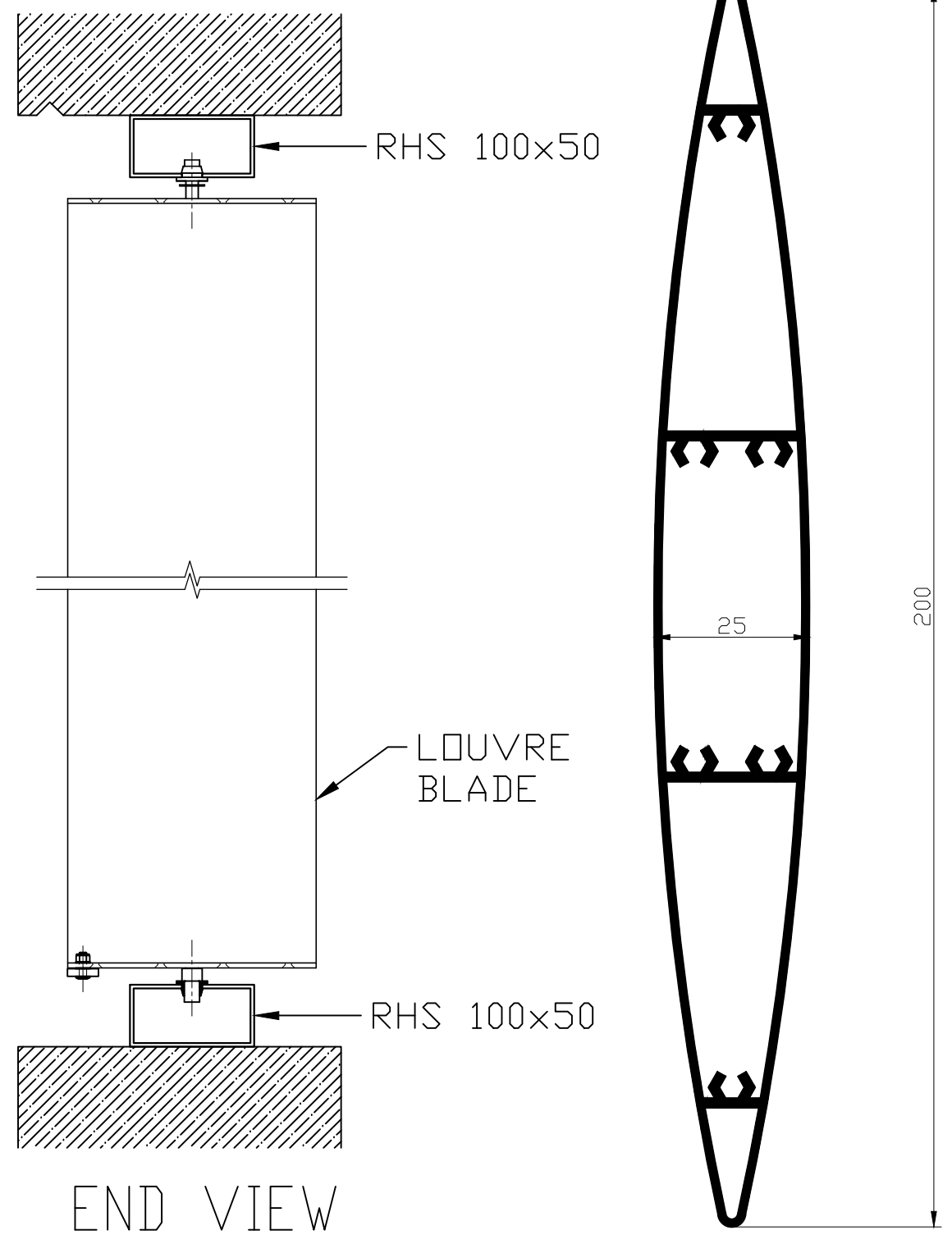


PLAN SECTION  
(BLADES MOUNTED VERTICALLY)



DETAIL



END VIEW

LB200 BLADE

ELLIPTICAL LB200  
BLADES CAN ALSO BE MOUNTED HORIZONTALLY.  
ALSO AVAILABLE FOR LB160, 300.

UNLESS OTHERWISE SPECIFIED: DIMENSIONS ARE IN MILLIMETERS SURFACE FINISH: TOLERANCES: LINEAR: ANGULAR:		FINISH:	DEBURR AND BREAK SHARP EDGES	DO NOT SCALE DRAWING	REVISION
DRAWN	NAME	SIGNATURE	DATE	TITLE: DBA AUSTRALIA SALES@DBAAU.COM.AU WWW.DBAAU.COM.AU	
CHK'D				DWG NO. LB 200 LOUVRE BLADES	
APPV'D				SCALE:1:2	A3
MFG			MATERIAL:	SHEET 1 OF 1	
QA			WEIGHT:		