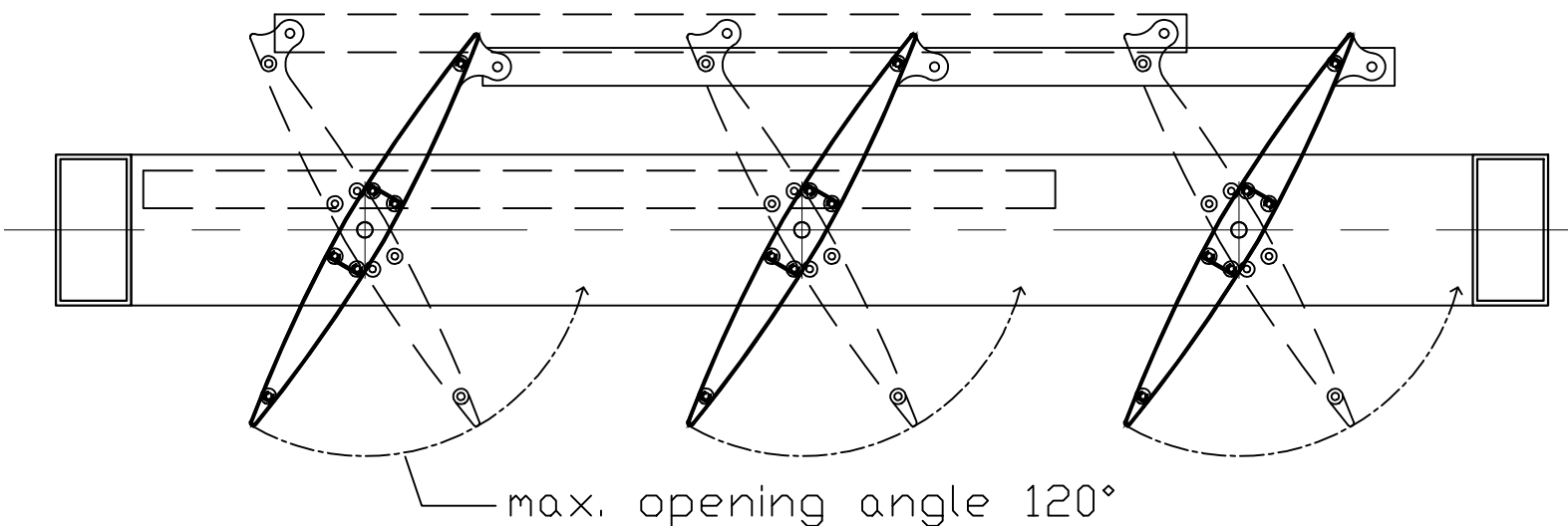
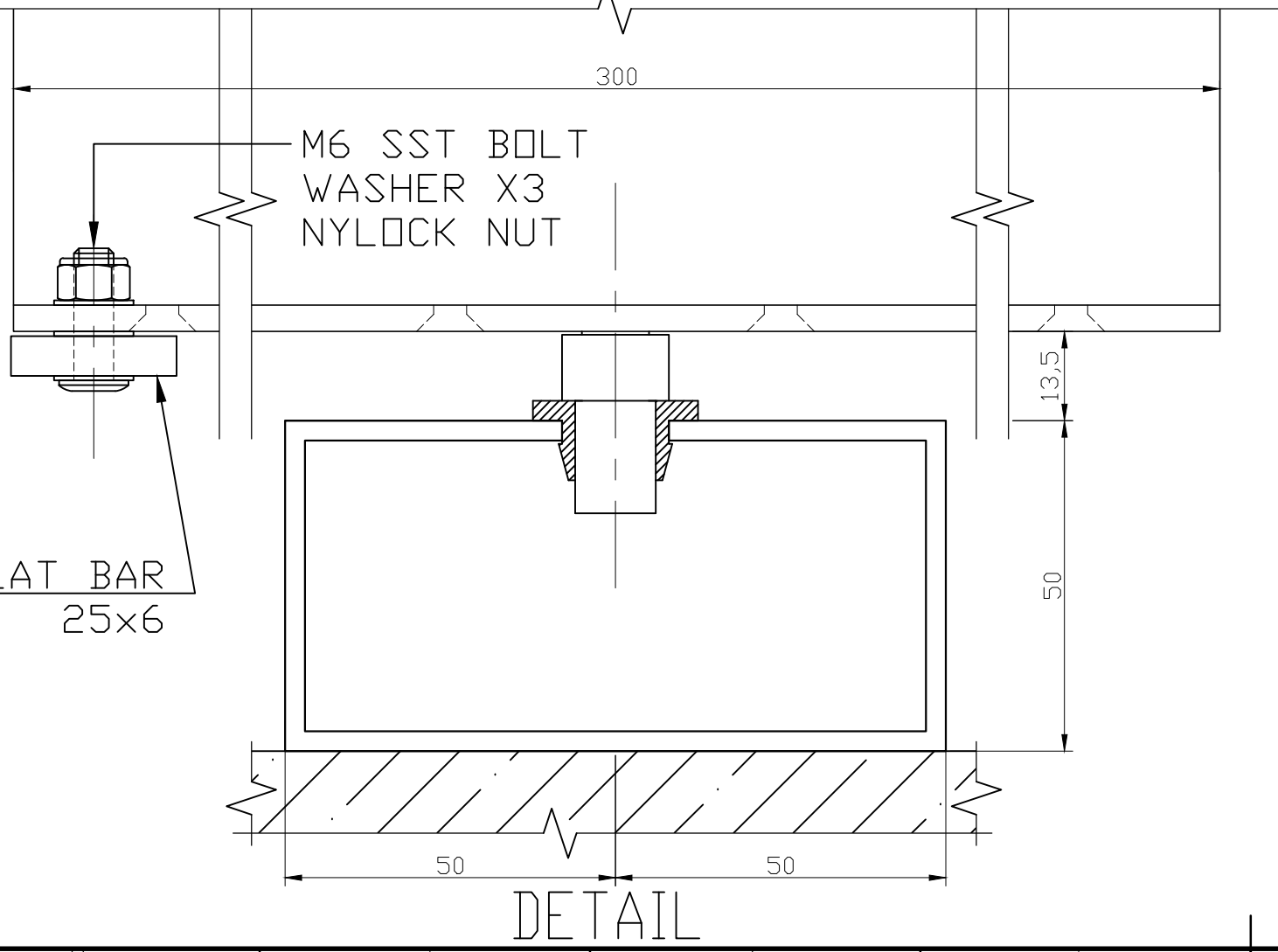


PLAN SECTION
(BLADES MOUNTED VERTICALLY)



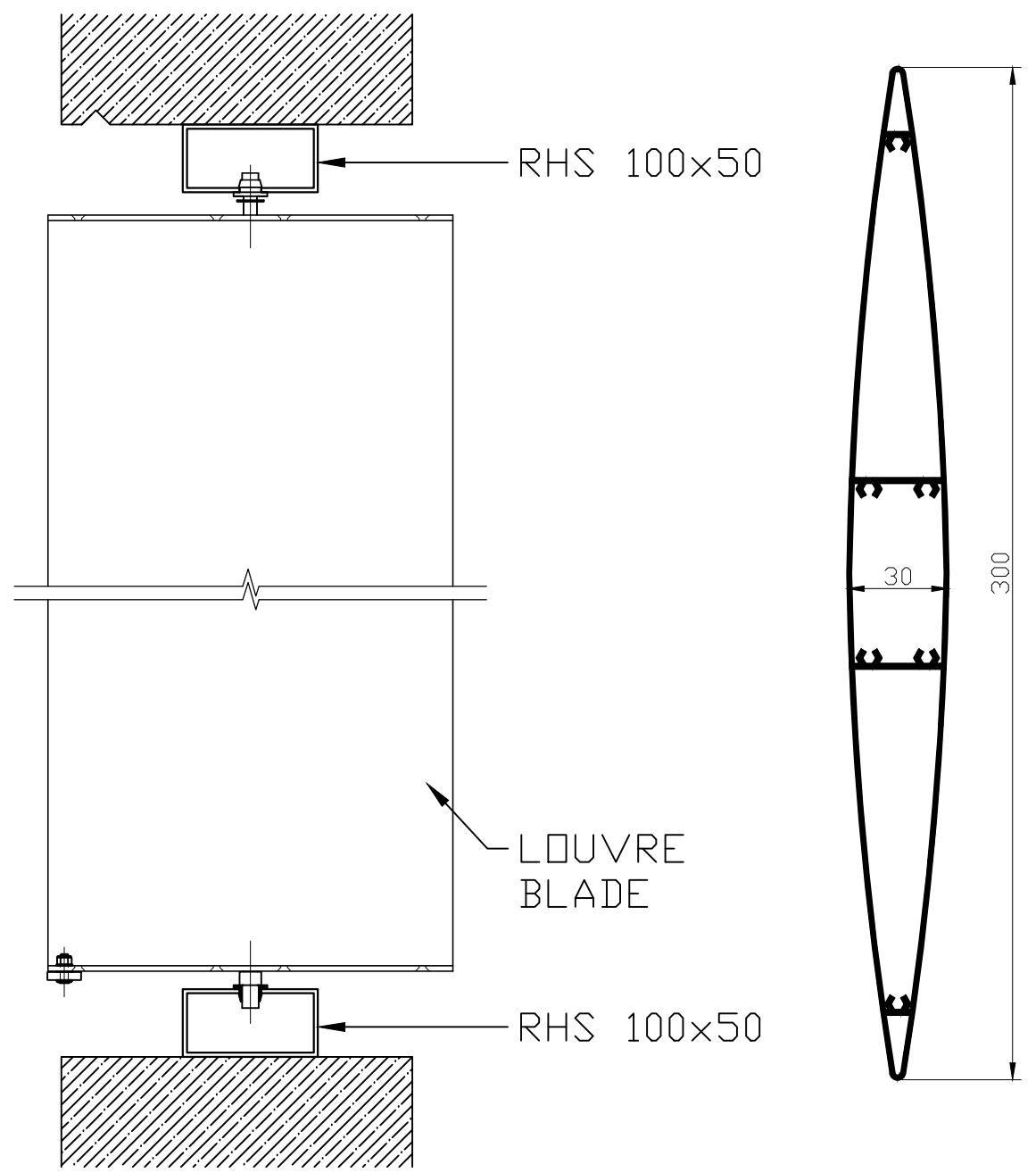
max. opening angle 120°



M6 SSS BOLT
WASHER X3
NYLOCK NUT

FLAT BAR
25x6

DETAIL



RHS 100x50

LOUVRE
BLADE

RHS 100x50

END VIEW

LB300 BLADE

ELLIPTICAL LB300
BLADES CAN ALSO BE MOUNTED HORIZONTALLY.
ALSO AVAILABLE FOR 160, 200.

UNLESS OTHERWISE SPECIFIED: DIMENSIONS ARE IN MILLIMETERS SURFACE FINISH: TOLERANCES: LINEAR: ANGULAR:		FINISH:	DEBURR AND BREAK SHARP EDGES	DO NOT SCALE DRAWING	REVISION
DRAWN	NAME	SIGNATURE	DATE	TITLE: DBA AUSTRALIA SALES@DBAAU.COM.AU WWW.DBAAU.COM.AU	
CHK'D				DWG NO.	A3
APPV'D				LB 300 LOUVRE BLADES	
MFG			MATERIAL:	SCALE:1:2	SHEET 1 OF 1
QA			WEIGHT:		